



SHOWFRONT

The Retail Display Specialists

Display Cabinets



RETAIL ESSENTIALS

Ready-Made
& Custom-Built



T 1300 99 36 36

E sales@showfront.com.au

 www.showfront.com.au



SHOWFRONT

Ready-Made
& Custom-Built

GLASS DISPLAY CABINETS & SHOP COUNTERS



SHOWCASE Your Merchandise For MAXIMUM Visual Appeal



With over 20 years experience servicing thousands of retailers throughout Australia, Showfront provides unbeatable value with its superb range of premium quality glass Display Cabinets. Increase your sales with a stunning retail display. Call Showfront today.

Premium Quality Display Cabinets at Unbeatable Prices!

Showfront Retail Display Cabinets and Glass Shop Counters are durable, flexible, elegant and superbly crafted. The perfect Jewellery Display Case or Collectibles Display Cabinet, Showfront showcases are an invaluable asset to any merchandising display. Complete with optional LED lighting, Showfront Display Cases are ideal for showcasing giftware and small valuable items. Ready-made or custom-built, the full range of premium Showfront display cases includes:

- Tower Display Cabinets
- Upright Glass Display Cabinets
- Shop Counter Display Cabinets
- Wall-Mounted Display Cabinets
- Mushroom Display Cases
- Custom Display Cases
- Museum Display Cases

Delivered Australia-wide and fully assembled!



Visit the showfront website to buy Display Cabinets online!

www.showfront.com.au

T 1300 99 36 36

E sales@showfront.com.au

www.showfront.com.au



SHOWFRONT

Ready-Made
& Custom-Built

CUSTOM-BUILT DISPLAY CABINETS



Superb Craftsmanship Is The Hallmark Of Showfront's Display Cabinets

Custom-Built

Our specialist team of design consultants provides market-leading expertise and prides itself on the originality of its solutions. For Retailers, Museums and Collectors looking for something extra special and a little bit different, ask us about custom-building a Display Cabinet for your specific needs.

Custom-Built Display Cases



Museum Display Cases



Wall Mounted Display Cases



T 1300 99 36 36

E sales@showfront.com.au

 www.showfront.com.au



SHOWFRONT

Ready-Made
& Custom-Built

TOWER & UPRIGHT DISPLAY CABINETS



Up To 2m In Height, Tower And Upright Display Cabinets Are An Elegant Solution For Retailers



Upright Glass Display Cabinet

\$1185.00 ex GST

\$1303.50 inc GST

Model TPFL 1000

Features

- Fully assembled
- 3 x 50W Down Lights
- 6 x 20W Halogen Spotlights
- Safety Glass
- 3 Glass Shelves
- 100mm High Plinth with Castors
- Lockable Doors

Colour

Matt Natural Aluminium Frame
Light Grey Infills

Size

2000H x 1000W x 450D



Additional spotlights

Upright Glass Display Cabinet with Additional Storage

\$1355.00 ex GST

\$1490.50 inc GST

Model TSF 1000

Features

- Fully assembled
- 3 x 50W Down Lights
- 6 x 20W Halogen Spotlights
- Safety Glass
- 3 Glass Shelves
- 100mm High Plinth with Castors
- Lockable Doors

Colour

Matt Natural Aluminium Frame
Light Grey Infills

Size

2000H x 1000W x 450D



Additional spotlights

Glass Tower Display Cabinet with Additional Lighting

\$990.00 ex GST

\$1089.00 inc GST

Model TPF 600

Features

- Fully assembled
- 2 x 50W Down Lights
- 6 x 20W Halogen Spotlights
- Safety Glass
- 3 Glass Shelves
- 100mm High Plinth with Castors
- Lockable Doors

Colour

Matt Natural Aluminium Frame
Light Grey Infills

Size

2000H x 600W x 600D





SHOWFRONT

Ready-Made
& Custom-Built

COUNTER DISPLAY CABINETS



Create A Stunning Merchandising Display At The Point Of Sale With Glass Counter Display Cabinets



Visit the Showfront website to buy
Display Cabinets online!

Delivered
Australia-wide
and fully
assembled!



Counter Display Cabinet with Additional Storage

\$985.00 ex GST

\$1083.50 inc GST

Model CTSL 1200

Features

- Fully assembled
- Safety Glass
- 1 Glass Shelf
- 100mm High Plinth with Castors
- Lockable Doors
- Florescent Light for Illumination

Colour

Matt Natural Aluminium Frame
Light Grey Infills

Size

950H x 1200W x 450D

Counter Display Cabinet with Additional Storage

\$1155.00 ex GST

\$1270.50 inc GST

Model CTSL 1400

Features

- Fully assembled
- Safety Glass
- 1 Glass Shelf
- 100mm High Plinth with Castors
- Lockable Doors
- Florescent Light for Illumination

Colour

Matt Natural Aluminium Frame
Light Grey Infills

Size

950H x 1400W x 450D

Full Glass Counter Display Cabinet

\$690.00 ex GST

\$759.00 inc GST

Model CTGL 1200

Features

- Full Glass Counter Showcase
- Fully Assembled
- Safety Glass
- 2 Glass Shelves
- 100mm High Plinth with Castors
- Lockable Doors
- Florescent Light for Illumination

Colour

Matt Natural Aluminium Frame
Light Grey Infills

Size

950H x 1200W x 450D

Full Glass Counter Display Cabinet

\$890.00 ex GST

\$979.00 inc GST

Model CTGL 1400

Features

- Full Glass Counter Showcase
- Fully Assembled
- Safety Glass
- 2 Glass Shelves
- 100mm High Plinth with Castors
- Lockable Doors
- Florescent Light for Illumination

Colour

Matt Natural Aluminium Frame
Light Grey Infills

Size

950H x 1400W x 450D

I couldn't be happier. The guys at Showfront did an amazing job. They were friendly, professional, easy to deal with and the showcases make my instruments look fantastic! It gives my music store a real edge with its visual appeal.

- Brian, Melbourne Brass n' Woodwind

T 1300 99 36 36

E sales@showfront.com.au



www.showfront.com.au



SHOWFRONT

Ready-Made
& Custom-Built

COUNTER DISPLAY CABINETS & MUSHROOM DISPLAY CASES



Stylish, Functional and Built To Last, Showfront Display Cabinets Engage Customers And Increase Sales



Counter Display Cabinet with Additional Storage

\$1290.00 ex GST
\$1419.00 inc GST

Model CTSL 1800

Features

- Fully assembled
- Safety Glass
- 1 Glass Shelf
- 100mm High Plinth with Castors
- Lockable Doors
- Florescent Light for Illumination

Colour

Matt Natural Aluminium Frame
Light Grey Infills

Size

950H x 1800W x 450D



Full Glass Counter Display Cabinet

\$1050.00 ex GST
\$1155.00 inc GST

Model CTGL 1800

Features

- Full Glass Counter Showcase
- Fully Assembled
- Safety Glass
- 2 Glass Shelves
- 100mm High Plinth with Castors
- Double Lockable Doors
- Florescent Light for Illumination

Colour

Matt Natural Aluminium Frame
Light Grey Infills

Size

950H x 1800W x 450D



Mushroom Display Case with Spotlights, Storage and Lockable Doors

\$950.00 ex GST
\$1045.00 inc GST

Model MUPL

Features

- Fully Assembled
- Safety Glass
- 100mm High Plinth with Castors
- Lockable Doors
- 2 x 20W Halogen Spotlights

Colour

Matt Natural Aluminium Frame
Light Grey Infills

Size

950H x 900W x 900D

Delivered Australia-wide and fully assembled!



Additional spotlights

“Showfront were fantastic to deal with. Their custom-built, beautiful white display cabinets were exactly what I was looking for and really created a unique retail display for my jewellery store. I would thoroughly recommend Showfront.”

- Bernie, Collins Jewellers

T 1300 99 36 36

E sales@showfront.com.au

 www.showfront.com.au



SHOWFRONT

Ready-Made
& Custom-Built

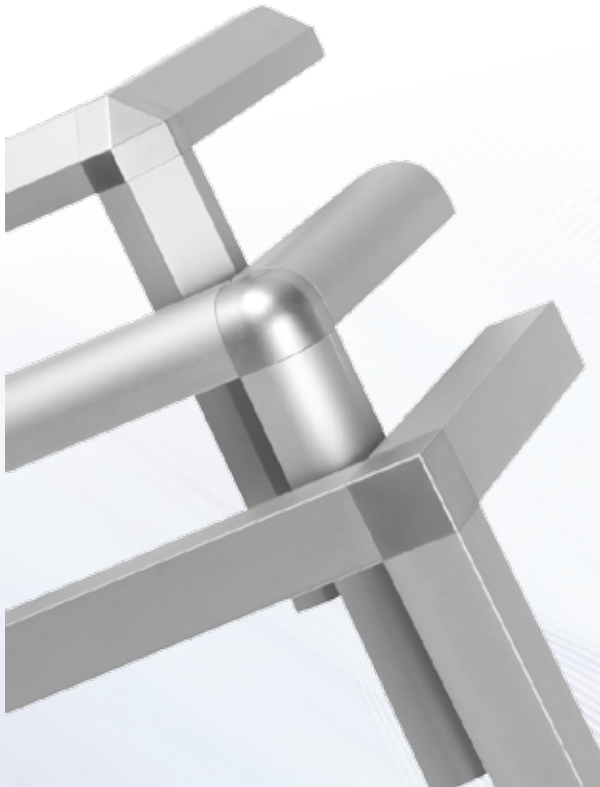
UNRIVALLED QUALITY



Durable and Elegant, Showfront Offers Outstanding Quality And Better Value Than Any Other Supplier

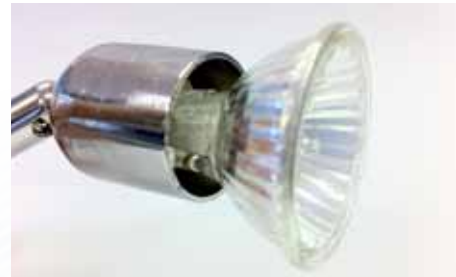
The Showfront Difference Is In The Detail!

Showfront retail display cases offer a superb range of styles, colours, lighting options, additional storage, security and mobility features, toughened or laminated glass, and adjustable shelving.



Visit the showfront website to buy Display Cabinets online!

Delivered Australia-wide and fully assembled!



Compare The Difference In Price And Quality

Visit a Showfront showroom in Sydney, Melbourne or Brisbane. Buy your Display Cases from Australia's leading Display Cabinet manufacturer today.

Call our expert team now for a free consultation on 1300 99 36 36

T 1300 99 36 36

E sales@showfront.com.au

 www.showfront.com.au



SHOWFRONT

The Retail Display Specialists

Melbourne

28 Export Drive, Brooklyn Vic 3012
T +613 9315 3636 F +613 9315 2737
melbourne@showfront.com.au

Sydney

118 Gow Street, Padstow NSW 2211
T +612 97082622 F +612 9708 3277
sydney@showfront.com.au

Brisbane

19 Brecknock St, Archerfield QLD 4108
T +617 3277 9979 F +617 3103 4759
brisbane@showfront.com.au

T 1300 99 36 36

E sales@showfront.com.au



www.showfront.com.au